



# JPL Convey

USB-A and USB-C compatible

Data Sheet



The new **JPL Convey** is the ideal choice for anyone wanting to talk and listen hands-free when using any of the major softphones like Microsoft Teams, Zoom, RingCentral, WhatsApp etc.

If you are in a quiet meeting room or at home, this is the perfect small portable USB speakerphone. Supplied with both USB-A and USB-C adapters it is literally plug and play with your PC or laptop, and is part of our “Software Last” range of products.

- **Host meetings in moments**, with a plug and play USB-A or USB-C connection for PC and Mac. The simple interface is easy to use, with only 4 illuminated buttons: volume up, volume down, mic mute and speaker mute.
- **Communicate clearly** - Perfect for team briefings and pitches to clients. The *JPL Convey* is ideal for any small office or meeting room with up to 4 people. The high quality speaker is loud enough for your whole team to hear.
- **Use for more than just conferences or team meetings**  
When you're not using it as a business conference phone, try using it for listening to music/radio, gaming or using as a speaker to enhance the sound of a Youtube video.
- **Clarity in design** - No status confusion with the full LED indicators showing whether the mic and/or speaker is muted.
- **Protective carry case included** - Take your *JPL Convey* with you wherever you go. It's the little speakerphone that thinks and acts large.



Optimised to work with:





### Overview



<b>Features</b>	Plug & play solution - No software download needed
	Compatible with all major softphones
	USB-C/USB-A to USB-C universal interface (2m braided cable)
	Fully duplexed microphones
	Omnidirectional 360° voice pick-up
	3-5m voice pick-up
	Built-in speaker
	Multifunctional touch sensitive panel for speaker and microphone mute, and volume controls
	Supports external 3.5mm interface for optional headset*
<b>What's included</b>	Speakerphone, USB-C/USB-A to USB-C Cable, Soft Pouch Carry Case
<b>Dimensions</b>	Speakerphone unit: 80x80x15mm
<b>Weight</b>	Speakerphone & USB cable in pouch: 168g In gift box: 232g
<b>Connection</b>	2m Type-C USB 2.0
<b>Certifications</b>	UKCA, CE, FCC, RoHS, REACH
<b>Warranty</b>	2 Years repair or replacement warranty
<b>MOQ</b>	Master Shipping Carton: 40
<b>EAN:</b>	5060126959526
<b>SKU:</b>	575-386-001

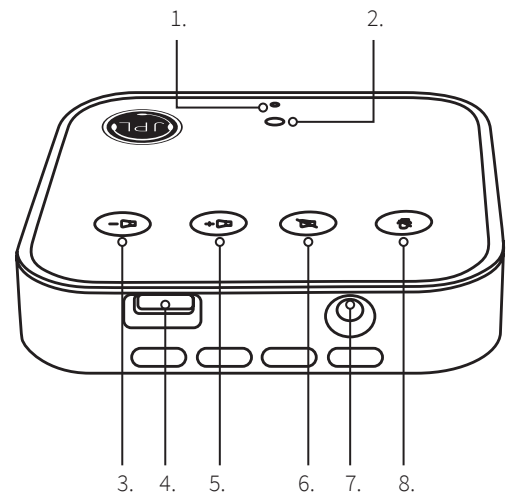
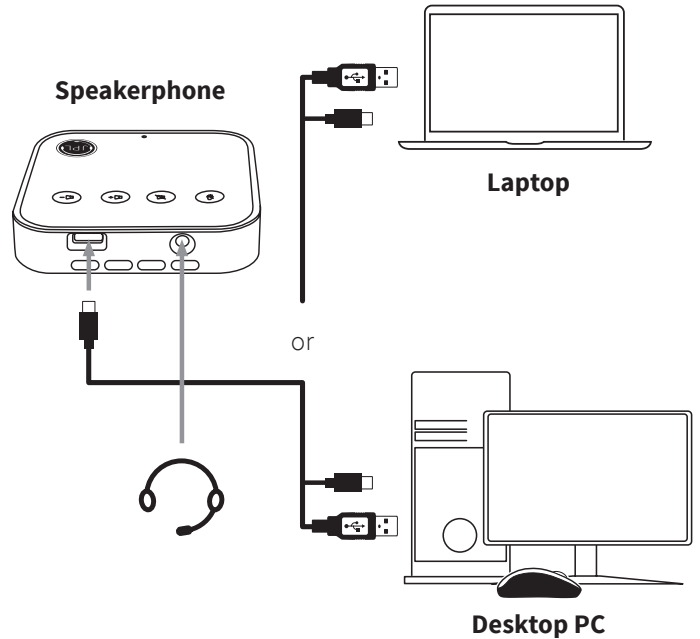
\* optional to purchase separately

### Technical Data

#### Speakerphone parameters:

Sampling rate:	48KHz
Speaker power:	3W
Directivity:	Omnidirectional high quality microphone
Output Impedance:	75Ω
Sensitivity:	-40dB ± 2dB
Radio Distance	300cm
Signal to noise ratio:	>36dB
Mic Rate	20kHz HD Voice
Codec=PMC	Wideband Audio / HD Audio
AEC	Acoustic Echo Cancellation
LEC	Line Echo Cancellation
NC	Noise Cancelling
ALC	Automatic Level Control
Connectivity:	2m Type-C USB 2.0
OS Support:	Compatible with Windows XP / 7 / 8 / 10 & MAC OS

**Note:** The speakerphone must be connected to a PC USB port or power-supplied hub, and not a bus-powered USB port (such as a keyboard with an integrated USB).



1. Red light indicates that the microphone is muted
2. Blue light indicates power on
3. Volume down
4. USB Type-C power supply interface
5. Volume up
6. Speaker mute
7. 3.5mm headphone port (line in / line out)
8. Microphone mute

Optimised to work with:

