

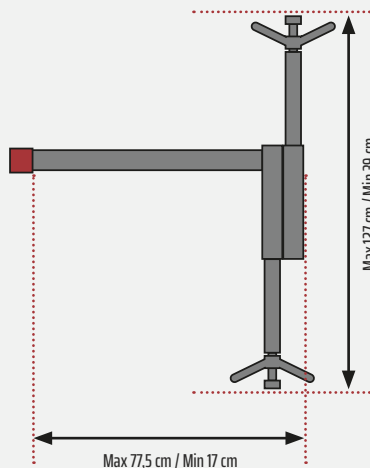
JETTING CART

The Jetting Cart fit the V3 and besides fiber blowing and subducting the V3 combined with the Jetting Cart will allow you to push or pull a duct rod through ducts were blowing of the fiber optic cable is not possible. With Jetting Cart, the V3 can be easily fixed to the manhole, automating the manual pull and push process.





JETTING CART

- Foldable for easy transportation
- Lightweight
- Can be used instead of a workbench when blowing fiber or subducting
- Very quick assembly between Jettingcart and V3
- Automating the manual pull and push process using the V3
- Easily secured in various types of manholes
- No tools needed
- 1-3-5 m rod guides is available (Accessories)



TECHNICAL DATA

- 
Max width anchoring:
1270 mm
- 
Min width anchoring:
390 mm
- 
Max length anchoring:
775 mm
- 
Min length anchoring:
170 mm
- 
WxHxD (Jetting Cart folded)
580 x 425 x 1050 mm
- 
WxHxD (Jetting Cart unfolded)
580 x 880 x 1020 mm
- 
Weight:
approx 26 kg

